



DINAK EI30 with ring

TWIN WALL MODULAR METALLIC FLUE PIPE INSULATED WITH TIGHTNESS RING

AVAILABLE DIAMETERS AND MATERIALS

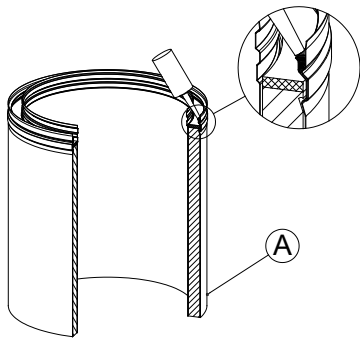
Diameters:	Ø80/140 a Ø1000/1060
Inner wall:	AISI 304 BA (1.4301) AISI 316L BA (1.4404)
Outer wall:	AISI 304 BA (1.4301) AISI 316L BA (1.4404) Copper <i>RAL powder coating on request</i>
Insulation:	25 mm ceramic fiber high density
Tightness ring:	AISI 304 BA (1.4301) for the application of silicone required upon installation High temperature silicone certified in compliance with EN 1421-1:2005 T200 W2 K2 I



INSTALLATION

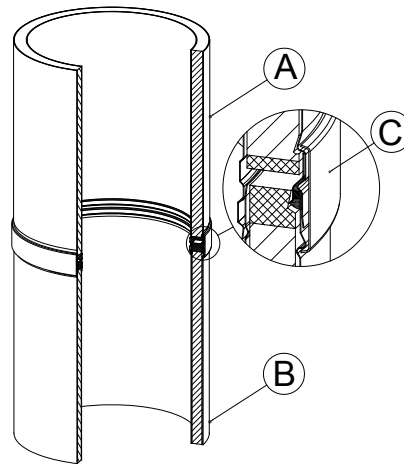
FITTING BETWEEN ELEMENTS

Ø80/140 a 600/660



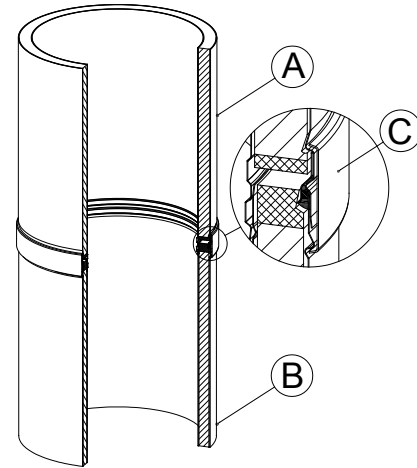
STEP 1

Apply a strip of DINAK high temperature neutral silicone on the tightness ring placed on the female side (A) of the element



STEP 2

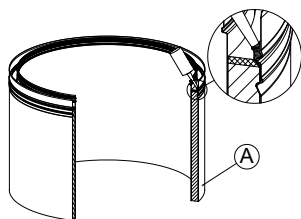
Assemble male end (B) with female end (A) of the next element, without turning the elements, following the flue gas direction indicated with an arrow at the base of each length.



STEP 3

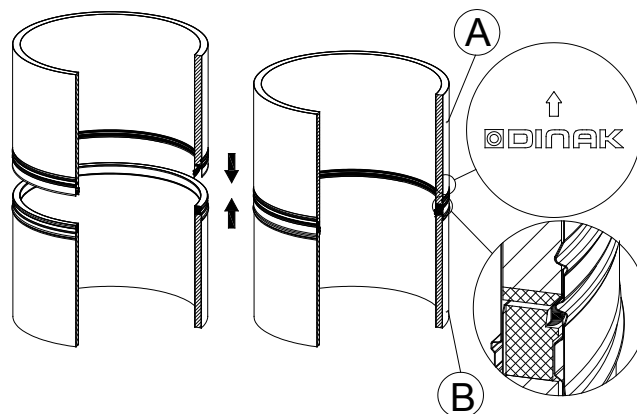
Install the locking band (C) and allow for a silicone setting time of 48 hours before the installation

Ø650/710 a 1000/1060



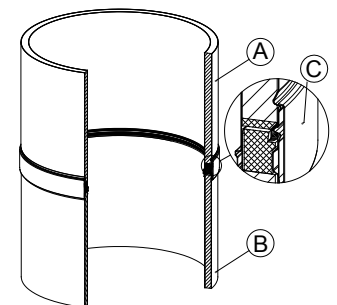
STEP 1

Apply a strip of DINAK high temperature neutral silicone on the tightness ring placed on the female side (A) of the element



STEP 2

Assemble male end (B) with female end (A) of the next element, without turning the elements, following the flue gas direction indicated with an arrow at the base of each length.



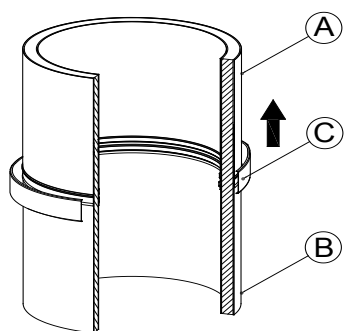
STEP 3

Install the locking band (C) and allow for a silicone setting time of 48 hours before the installation

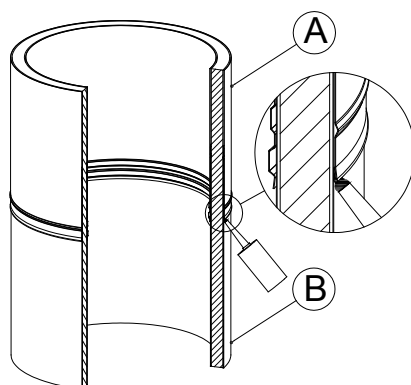
INSTRUCTIONS

ADJUSTABLE LENGTHS

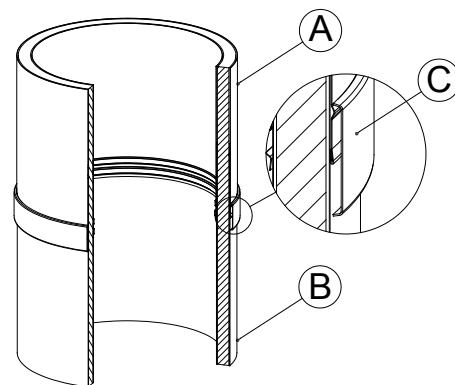
Ø80/140 a 600/660



STEP 1
Remove the locking band (C) from the adjustable length, cut the intermediate insulation if required and adjust the element.

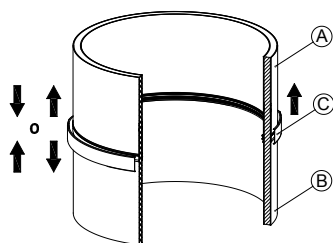


STEP 2
Apply a strip of DINAK high temperature neutral silicone on the outer joint of the two parts of the adjustable length (A y B)

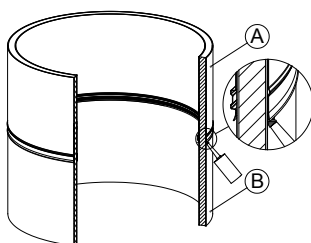


STEP 3
Install the locking band (C) and allow for a silicone setting time of 48 hours before the installation

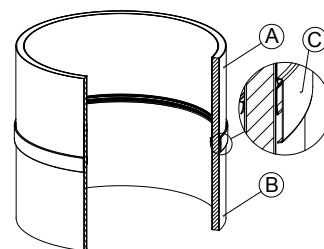
Ø650/710 a 1000/1060



STEP 1
Remove the locking band (C) from the adjustable length, cut the intermediate insulation if required and adjust the element.



STEP 2
Apply a strip of DINAK high temperature neutral silicone on the adjustable middle section of the adjustable length (A y B)



STEP 3
Install the locking band (C) and allow for a silicone setting time of 48 hours before the installation



INSTALLATION EXAMPLE

- 011 - Open terminal
- 13A - Storm collar
- 195 - Flat flashing
- 020 - Straight length
- 030 - 135° Tee
- 031 - 90° Tee
- 040 - 45° Elbow
- 433 - 90° Elbow
- 050 - Test unit
- 052 - Inspection length
- 060 - Soot collector
- 070 - Locking band
- 080 - Wall support

