



SINGLE WALL MODULAR CHIMNEY WITH TIGHTNESS JOINT

DESIGNATIONS



0036 CPD 90220 004

AISI 316L:

EN 1856-1 T200 P1 W V2 L20040 OXX

EN 1856-1 T250 N1 W V2 L20040 OXX

AISI 304:

EN 1856-1 T200 P1 W V2 L20040 OXX

EN 1856-1 T200 N1 W V2 L20040 OXX

OXX: The required distance to combustible materials varies according to the flue diameter. Please check CE certificate for more information

0036 CPD 90220 020

AISI 316L:

EN 1856-2 T200 P1 W V2 L50040 O

EN 1856-2 T600 N1 W V2 L50040 G

AISI 304:

EN 1856-2 T200 P1 W V2 L20040 O

EN 1856-2 T600 N1 W V2 L20040 G

0036 CPD 90220 038

AISI 316L:

EN 1856-2 T200 P1 W V2 L50040 OXXXNM

EN 1856-2 T600 N1 W V2 L50040 GXXXNM

AISI 304:

EN 1856-2 T200 P1 W V2 L20040 OXXXNM

EN 1856-2 T600 N1 W V2 L20040 GXXXNM

AVAILABLE DIAMETERS AND MATERIALS

Diameters:

Ø80 a 600 mm

Materials:

AISI 304 BA (1.4301)

AISI 316L BA (1.4404)

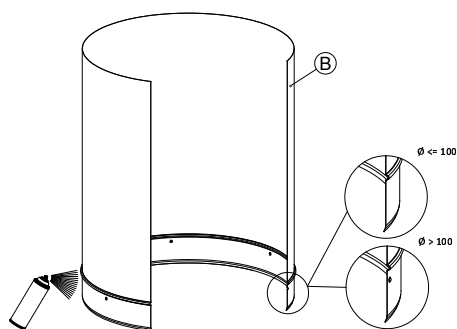
RAL powder coating on request



INSTALLATION

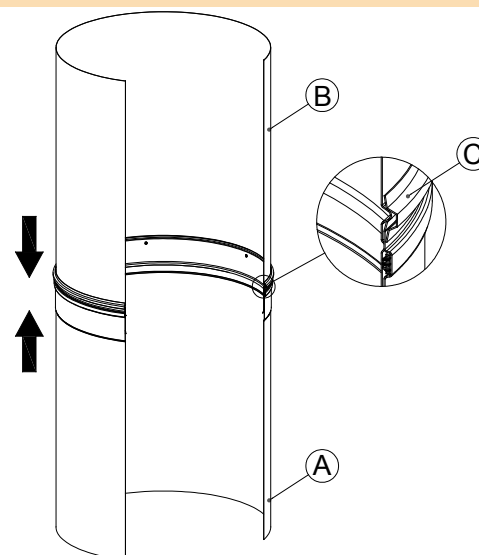
FITTING BETWEEN ELEMENTS

Ø80 a 300



STEP 1

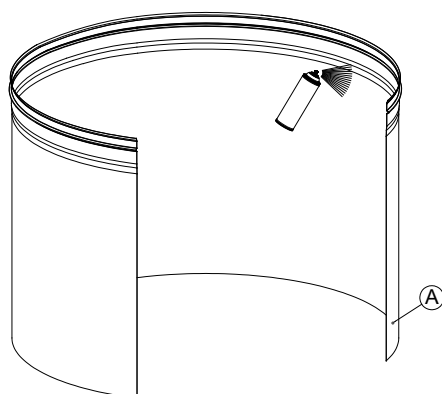
Lubricate the outside of the wall of the male end (B)



STEP 2

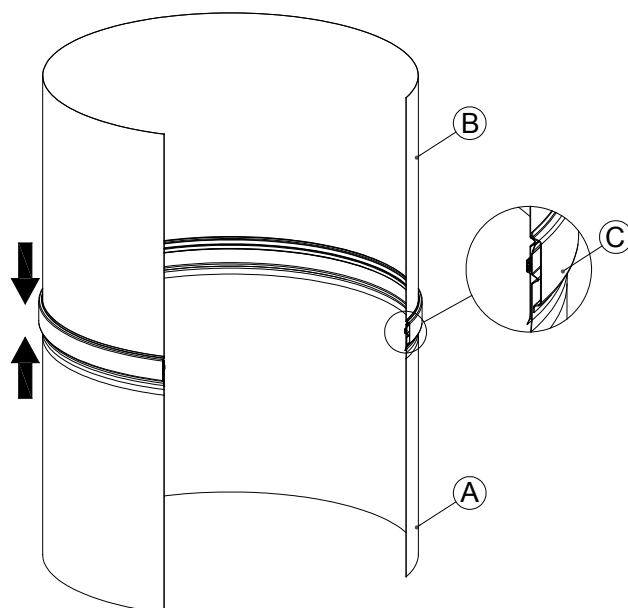
Assemble male end (B) with female end (A) of the next element, without turning the elements, following the flue gas direction and place a locking band (C)

Ø350 a 600



STEP 1

Lubricate the outside of the wall of the male end (A)



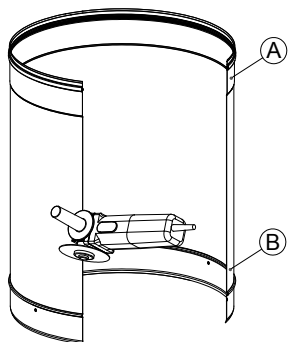
STEP 2

Install the locking band (C) and allow for a silicone setting time of 48 hours before the installation .

INSTRUCTIONS

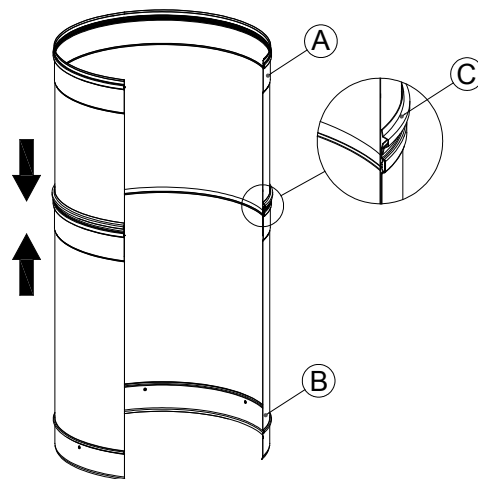
CUT ADJUSTABLE LENGTHS

Ø80 a 300



STEP 1

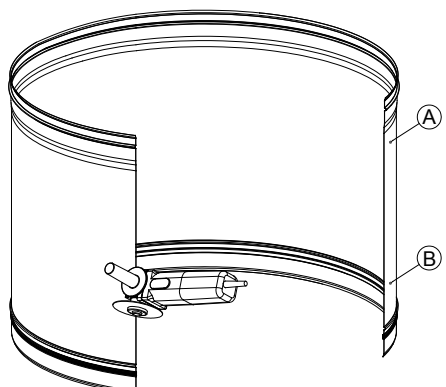
Cut the adjustable to the desired length keeping the female end (A)



STEP 2

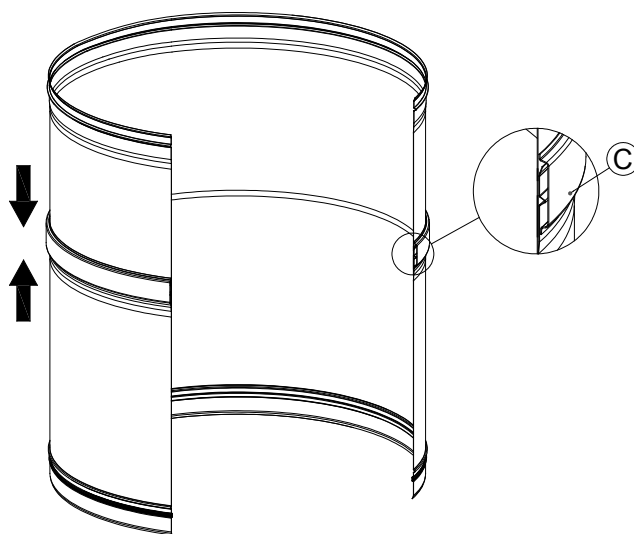
Connect the cut item to the female end (A) of the next element and fix them with a locking band (C)

Ø350 a 600



STEP 1

Cut the adjustable to the desired length keeping the female end (A)



STEP 2

Connect the cut item to the female end (A) of the next element and fix them with a locking band (C)



INSTALLATION EXAMPLE

- 010 - Rain cup
- 13A - Storm collar
- 195 - Flat flashing
- 020 - Straight length
- 024 - Half straight length
- 203 - Descending kit
- 031 - 90° Tee
- 431 - 87° Inspection elbow with cap
- 521 - Inspection tee with rectangular door
- 613 - Soot collector with lateral drains
- 070 - Locking band
- 071 - Location bracket
- 100 - Boiler adaptor

