



SINGLE WALL MODULAR STAINLESS STEEL CHIMNEY WITH TIGHTNESS RING

DESIGNATIONS



0036 CPD 90220 036

AISI 316L:	Ø125-300	EN 1856-1 T200 H1 W V2 L50040 O40
	Ø350-450	EN 1856-1 T200 H1 W V2 L50040 O60
	Ø500-600	EN 1856-1 T200 H1 W V2 L50040 O80
	Ø650-1000	EN 1856-1 T200 H1 W V2 L50040 O160
AISI 304:	Ø125-300	EN 1856-1 T200 H1 W V2 L20040 O40
	Ø350-450	EN 1856-1 T200 H1 W V2 L20040 O60
	Ø500-600	EN 1856-1 T200 H1 W V2 L20040 O80
	Ø650-1000	EN 1856-1 T200 H1 W V2 L20040 O160

AVAILABLE DIAMETERS AND MATERIALS

Diameters:

Ø125 a 1.000 mm

Inner wall:

AISI 304 BA (1.4301)
AISI 316L BA (1.4404)
AISI 430 BA (1.4016)

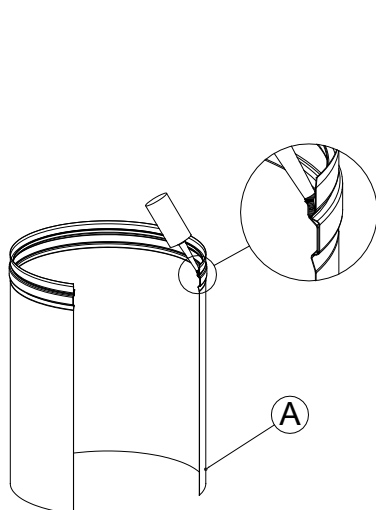
RAL powder coating on request



INSTALLATION

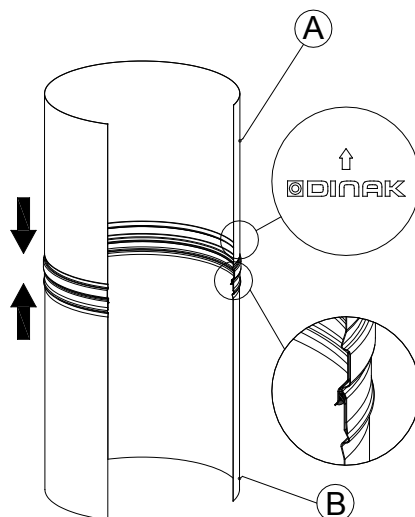
FITTING BETWEEN ELEMENTS

Ø125 a 700



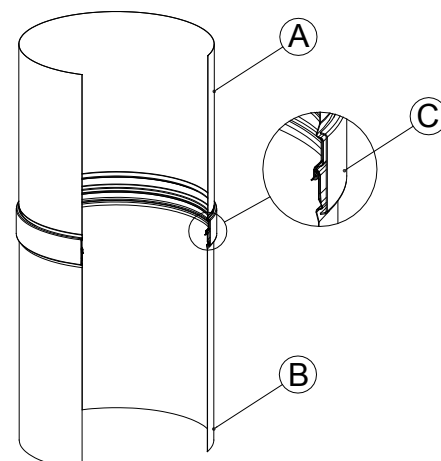
STEP 1

Apply a strip of DINAK heat resistant neutral silicone on the sealing ring located on the female end (A) of the element.



STEP 2

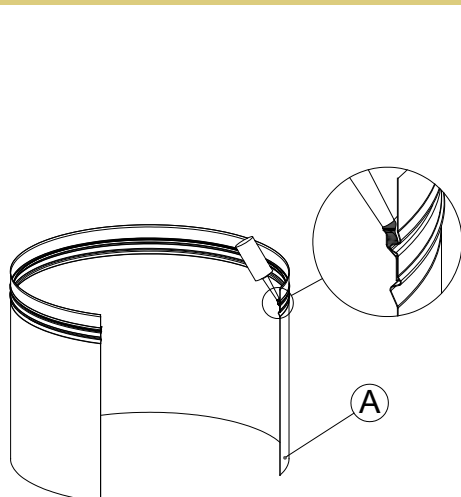
Insert the male side (B) into the female side (A) of the next element, respecting the direction of gases indicated by an arrow on the base of the element.



STEP 3

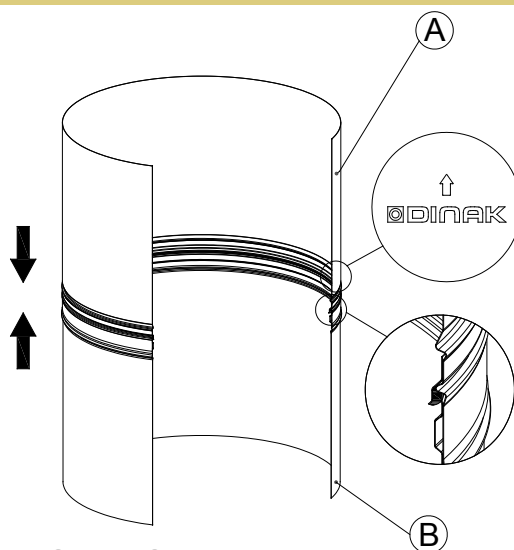
Install the locking band (C) and allow for a silicone setting time of 48 hours before the installation.

Ø750 a 1.000



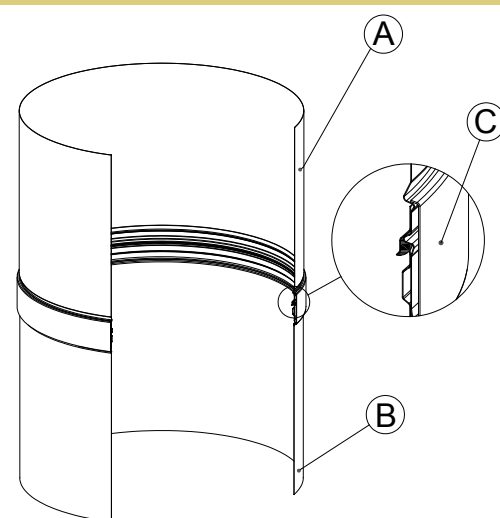
STEP 1

Apply a strip of DINAK heat resistant neutral silicone on the sealing ring located on the female end (A) of the element.



STEP 2

Insert the male side (B) into the female side (A) of the next element, respecting the direction of gases indicated by an arrow on the base of the element.



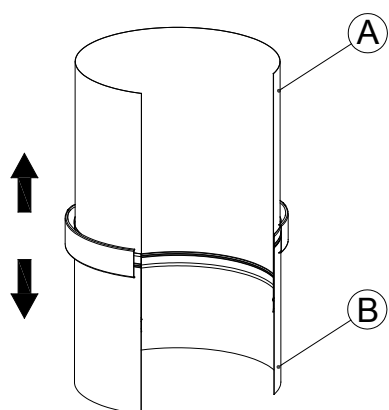
STEP 3

Install the locking band (C) and allow for a silicone setting time of 48 hours before the installation.

INSTRUCTIONS

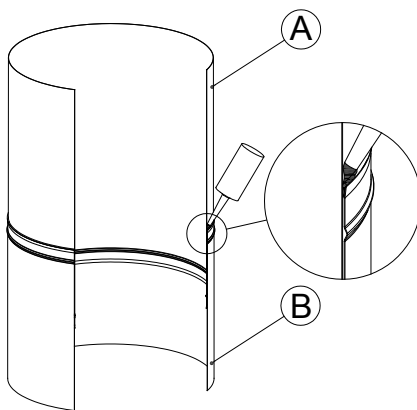
ADJUSTABLE LENGTHS

Ø125 a 700



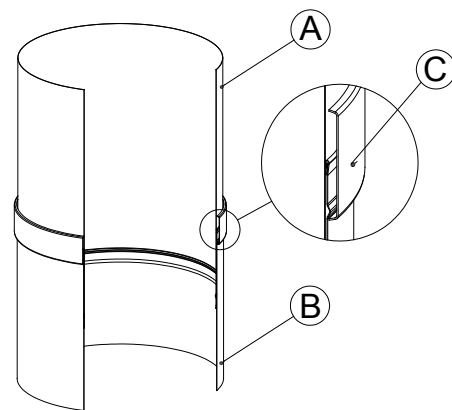
STEP 1

Remove the locking band (C) from the adjustable length and adjust the element to the desired length (A and B)



STEP 2

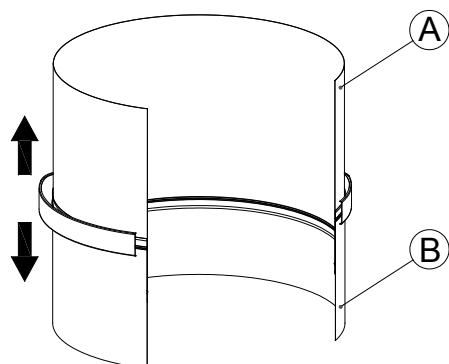
Apply a strip of DINAK heat resistant neutral silicone on the joint of the parts of the adjustable length (A and B)



STEP 3

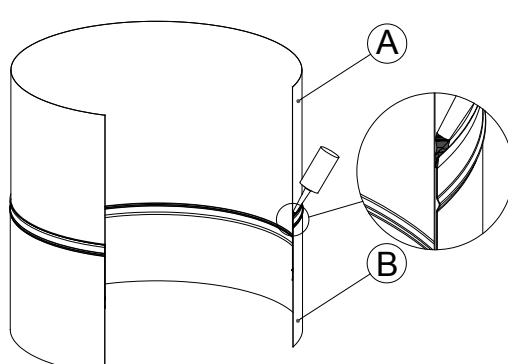
Install the locking band (C) and allow for a silicone setting time of 48 hours before the installation.

Ø750 a 1.000



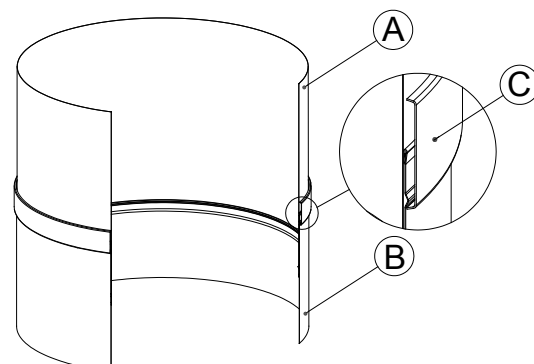
STEP 1

Remove the locking band (C) from the adjustable length and adjust the element to the desired length (A and B)



STEP 2

Apply a strip of DINAK heat resistant neutral silicone on the joint of the parts of the adjustable length (A and B)



STEP 3

Install the locking band (C) and allow for a silicone setting time of 48 hours before the installation



INSTALLATION EXAMPLE

