



Dinagas + SW Renov Shunt

Single-walled stainless steel collective modular chimney for overpressure evacuation of wall-mounted gas condensing boilers, designed for the renovation of an on-site shunt

Benefits

Features of the range

Anti-cutting flange 50 mm overlap between elements

Collective chimney in single wall with seal

Suitable solution for the renovation of a site shunt built in accordance with NTE ISH 74

Compatible boilers

Valid for wall mounted gas-fired condensing boilers type $C_{(10)2}$, $C_{(10)3}$, C_{42p} , C_{43p}

Operation

Dimensioning in overpressure

The single-walled chimney allows the exhaust of combustion gases from all the appliances connected to it to be discharged to the roof

The air intake for combustion takes place through the space between the walls of the shunt and the new chimney

Technical features

Generic

Overlap: 50 mm

Overpressure dimensioning

Max. one connection per storey up to a maximum of 6 storeys

Temperature classes

Up to 200°C (T200)

Diameters

125

Materials and thicknesses

Inner wall:

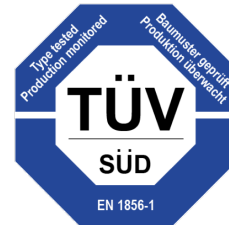
Stainless steel AISI 316L (1.4404)

Silicone seal T200 (UNE 14241-1)

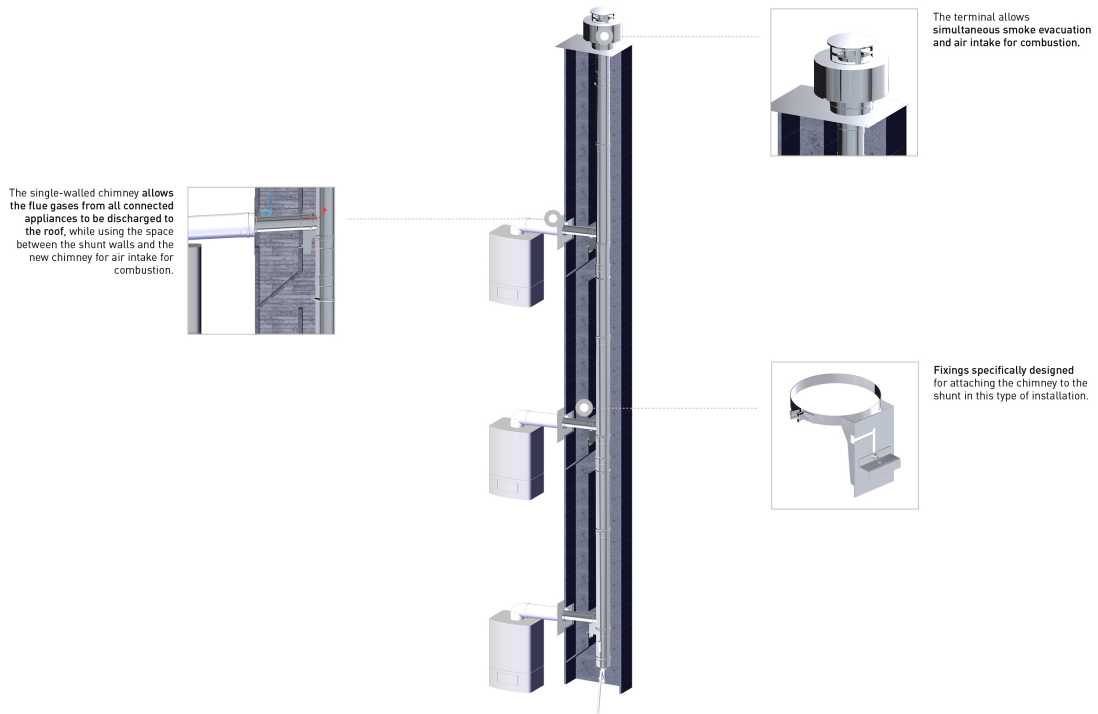
Sealing classes

P1 (up to 200 Pa at overpressure)

Certifications



Assembly



Do you want more information about **Dinagas + SW Renov Shunt**?

Contact us

uk@dinak.com

(+44) 0121 272 4830