



DW5

Double-walled insulated chimneys and exhaust pipes

Double-walled stainless steel modular duct, with 0.5 mm thick inner wall and 30 mm rock wool insulation and optional seal

FIRE RESISTANCE CLASSIFICATION: EI30 to EI180 ve-ho (o?i)

The DINAK DW5 range has been tested to EN 1366-13, specifically for chimney flues, and classified as "fire-resistant" according to the new EN 13501-2-2023 standard

This solution prevents the spread of fire from outside to inside both vertically and horizontally

Attention: The compartmentation elements (SAG, SBG) supplied by Dinak in the wall bushings are necessary to ensure fire classification

★ Benefits

Versatility

The DW5 range is suitable for a variety of applications and fuels, offering great flexibility in design and installation. The ideal solution for flue gas exhaust from equipment such as condensing and non-condensing boilers, stoves, inserts, pellet and wood boilers, air extraction, etc

Resistance and robustness

The design of the parts gives them a reinforced mechanical resistance, also guaranteeing a reduced thermal bridge

Safety-End Finish

All parts have a safety end on the edges, making it completely safe to handle the parts during assembly

Technical features

Generic

Overlap: 40 mm

Inner wall thickness 0.5 mm

Temperature classes

Without seal: Up to 600°C (T600)

With seal: Up to 200°C (T200)

Diameters

80/140	100/160	130/190
150/210	160/220	180/240
200/260	250/310	300/360

Materials and thicknesses

Inner wall:

Stainless steel AISI 304 BA (1.4301) or AISI 316L BA (1.4404)

Stainless steel AISI 444 BA (1.4521)

Thickness:

0.5 mm from Ø80/140 to 300/360 mm

Outer wall:

Stainless steel AISI 304 BA (1.4301) or AISI 316L BA (1.4404)

Stainless steel AISI 441 BA (1.4509)

Galvanised steel (DX51D (1.0226) + Z275MB)

Thickness:

0.4 mm from Ø80/140 to 300/360 mm

Copper

Thickness:

0.5 mm from Ø80/140 to 300/360 mm

Optional painted (R.A.L. range)

Insulation:

30 mm rock wool of 100 kg/m³ density

Sealing classes

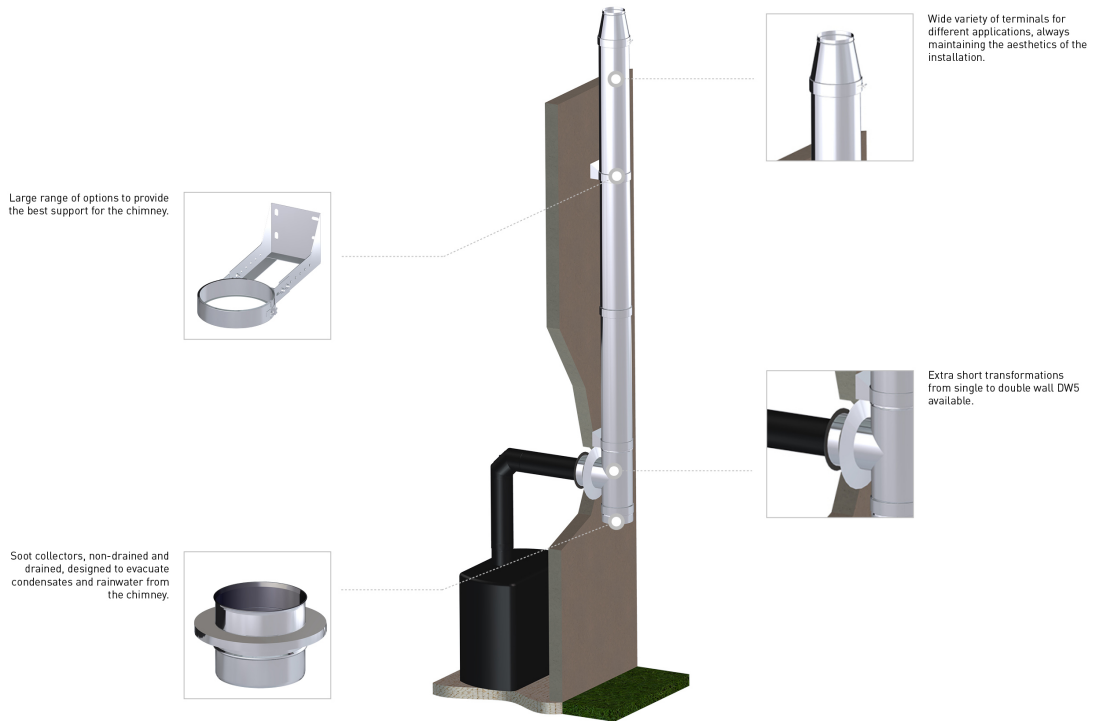
Without seal: N1 (up to 40 Pa)

With seal: P1 (up to 200 Pa overpressure)

Certifications



Assembly



Do you want more information about **DW5**?

[Contact us](#)

uk@dinak.com

[\(+44\) 0121 272 4830](tel:+441212724830)