



## PPH SW

High strength and performance

Single wall modular duct in white polypropylene with flame retardant and seal

### ★ Benefits

#### Expansion absorption

The duct is designed to absorb thermal expansion during operation of the installation

#### Cutable

The duct can be cut to size

#### Compatibility

The PPH SW range is compatible with other Dinak ranges such as SW, Diflux and all Dinagas ranges

**Technical features**

**Generic**

- Overlap between elements of 60-70 mm depending on diameter
- Excellent corrosion resistance properties
- Compatible with all Dinagas tee ranges

**Temperature classes**

Up to 120°C (T120)

**Diameters**

60	80	100	110	125	160	200
----	----	-----	-----	-----	-----	-----

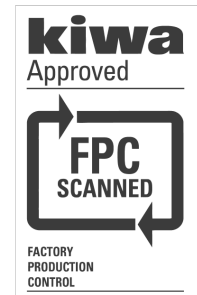
**Materials and thicknesses**

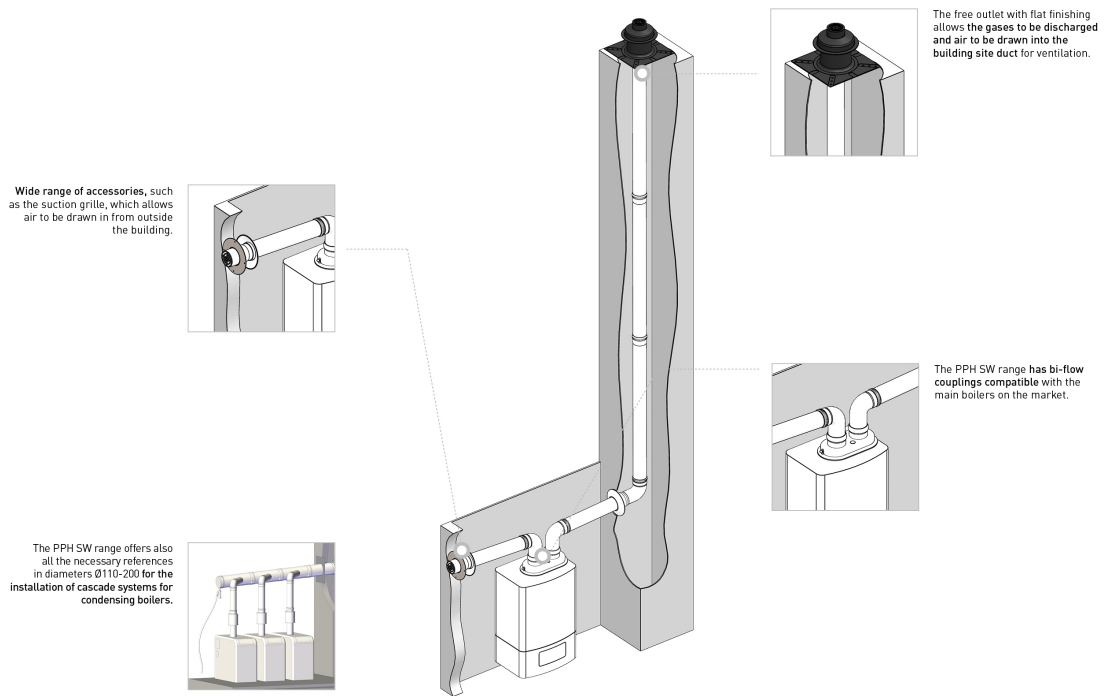
- Finished in white polypropylene with flame retardant (fire reaction class D)
- EPDM seal

**Sealing classes**

- Ø60-100 mm:** H1 (up to 5000 Pa overpressure)
- Ø110-200 mm:** P1 (up to 200 Pa overpressure)

**Certifications**



**Assembly**

Do you want more information about **PPH SW**?

Contact us

[sales@dinak.com](mailto:sales@dinak.com)

+34 986 45 25 26