



## Structures

Customised solutions

Self-supporting reticulated solution fixed to the ground supplied with the modular chimneys installed

## Technical features

### Generic

Alternative solution to a self-supporting chimney

Delivery of the solution with the modular chimneys already pre-installed, which significantly reduces the installation time of the project

### Materials and thicknesses

Carbon steel profile minimum quality S235JR

#### Finish:

Painting according to EN ISO 12944, in RAL colours (excluding metallic and fluorine colours, please consult Dinak for alternatives)

Finish C3 : moderate resistance

Finish C4 : high resistance

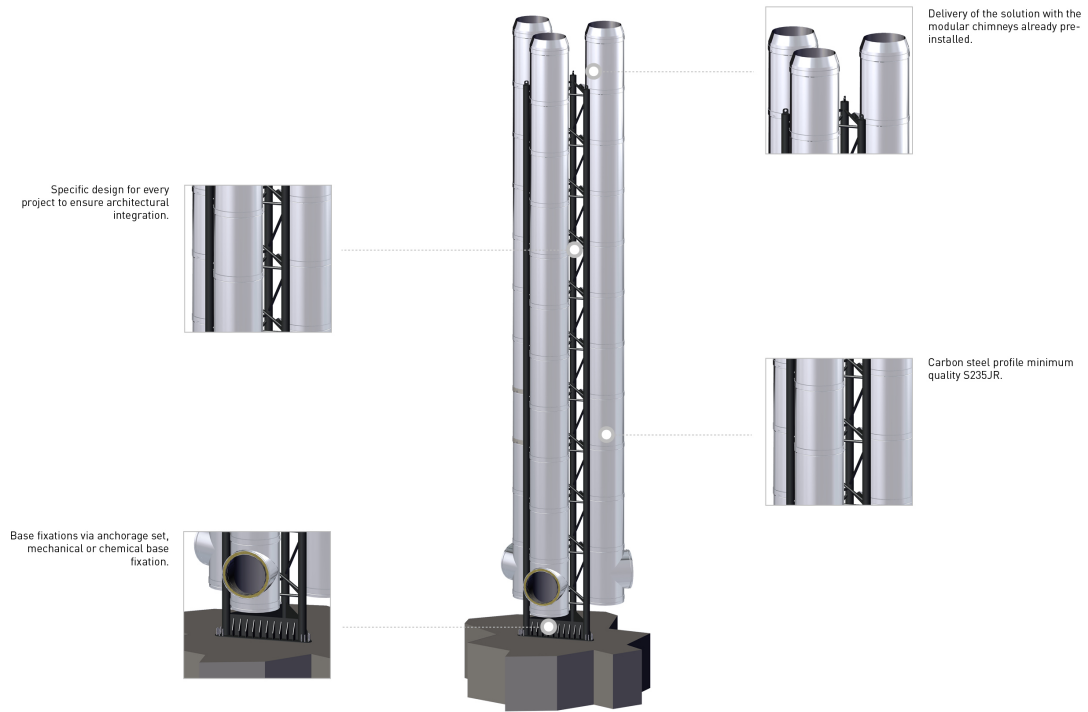
Finish C5 : very high resistance

Hot dip galvanized steel

## Certifications



 **Assembly**



Do you want more information about **Structures**?

**Contact us**

[sales@dinak.com](mailto:sales@dinak.com)

**+34 986 45 25 26**